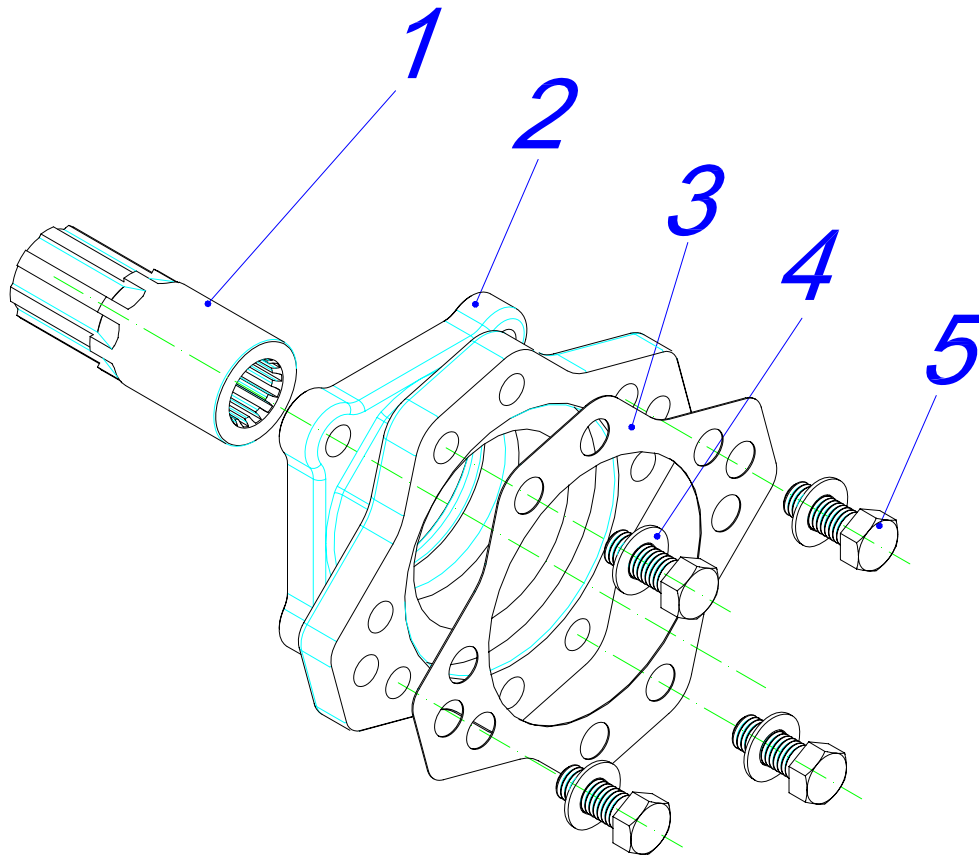


ADAPTER KIT ISO 4 BOLT- SAE "B"2/ 4 BOLT

September 2.003



ITEM	QT.	DESCIPTION	DIMENS.	CODE	BZ USA CODE
1	1	Output shaft		Table 1	
2	1	Adapter housing		202120911	
3	1	Gasket		108010091	
4	4	Washer	Ø13	102010002	
5	4	Screw DIN 931	½" 13H UNC x 32	116020025	

TABLE 1: OUTPUT SHAFT PUMP SAE B 2/4 BOLT

OUTPUT SHAFT	SHAFT CODE	ADAPTOR KIT CODE
Z=13 TEETH	203053721	706304
Z= 15 TEETH	203054121	708804